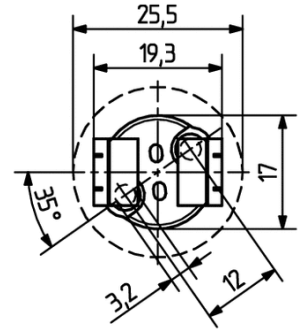
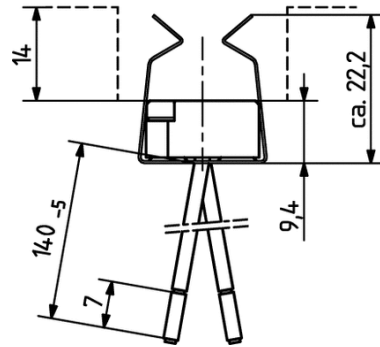
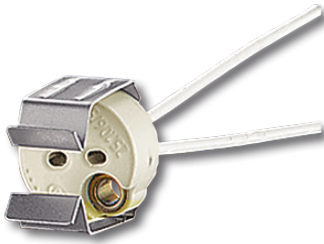




Technology for Light

Lampholder GU5.3 base MR-16 lamps 25.105.3101.00



T 300

10 A
50 V



Lampholder GU5.3 base MR-16 lamps 25.105.3101.00

Technology for Light

DESCRIPTION

- The method of wiring must be such that no stress or bending motions will be transferred to the contacts, thus reducing the contact / pressure on the lamp pins.

Product name:	Lampholder GU5.3 base MR-16 lamps
Mounting method 1:	Screw mount
Material:	Housing: Ceramic / Mica plate Contacts: Ni
T-Marking:	250
Connection:	Rear cable entry
Wires:	Cu, nickel plated 1.0 mm ² , with ferrule, Insulation PTFE (max. 250° C), Lead length: 140 mm
Weight:	8
Pkg.:	500