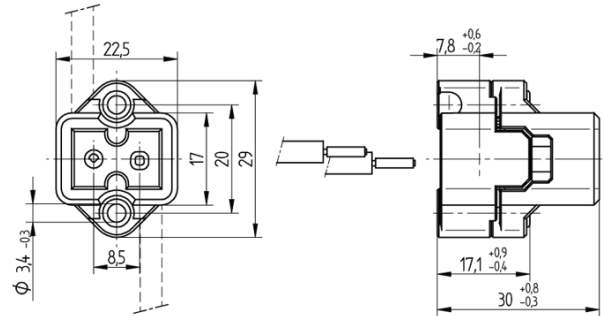
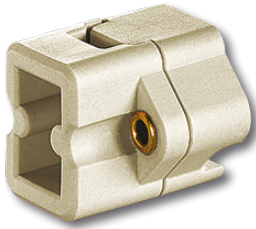




Technology for Light

Lampholder G8.5

25.822.1001.00



T 300



$\phi 1,2 - 1,8$

1 A
750 V



5 kV/pulse



Technology for Light

Lampholder G8.5

25.822.1001.00

DESCRIPTION

Maximum permissible diameter of the insulation 4.2 mm
Wires permanently joined after insertion
For screws dia. 3 mm

Product name:	Lampholder G8.5
Mounting method 1:	Screw mount
Material:	Housing: Ceramic
Connection:	Push wire contacts
Socket:	G8.5
Weight:	26
Pkg.:	216