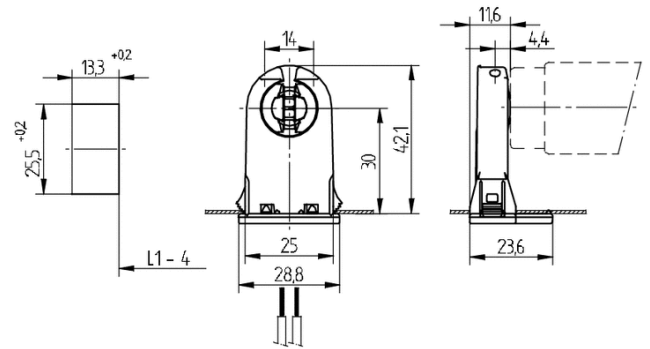




Technology for Light

Fluorescent lampholder G13 26.291.4012.50



T 130

Tm110

U out
500 V



18 AWG 0,5 - 1,0
mm²

0,4 - 2,0



DESCRIPTION

For enclosed cut-outs

A pair of lampholders provides a lamp length tolerance compensation of 3 mm

| | |
|---------------------|----------------------------|
| Product name: | Fluorescent lampholder G13 |
| Mounting method 1: | Push through mount |
| Lamp center: | 30 |
| Material: | Housing: PC Rotor: PBT |
| T-Marking: | 130 |
| Approval: | cULus |
| cULus file no.: | E-92235 |
| Material thickness: | 0.4 - 2.0 |
| Front Test: | yes |
| Rotor: | with |
| Top Test: | yes |
| Color: | white |
| Weight: | 7 |
| Pkg.: | 500 |