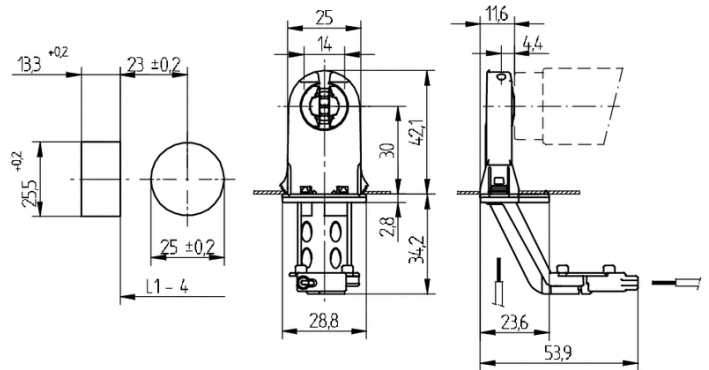




Technology for Light

Fluorescent lampholder G13 26.291.5012.50



T 130



Tm110



18 AWG 0,5 -1,0
mm²



0,4 - 2,0



90°



DESCRIPTION

For enclosed cut-outs

A pair of lampholders provides a lamp length tolerance compensation of 3 mm

Product name:	Fluorescent lampholder G13
Symbol Ausprägung:	0,5 - 1,0 mm ²
Mounting method 1:	Push through mount
Lamp center:	30
Material:	Housing: PC Rotor: PBT
T-Marking:	130
Approval:	cULus
Starter holder:	yes
cULus file no.:	E-92235
Material thickness:	0.4 - 2.0
Starter position:	at the front
Front Test:	yes
Rotor:	with
Top Test:	yes
Color:	white
Weight:	10
Pkg.:	250