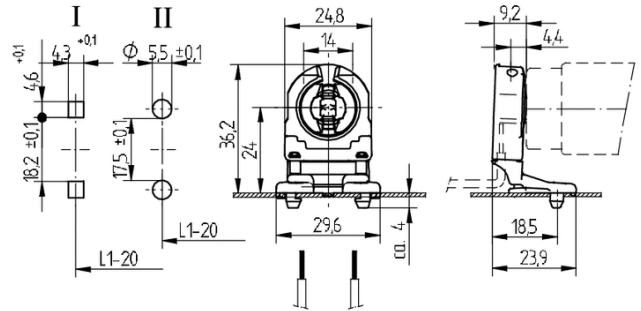




Technology for Light

Fluorescent lampholder G13 26.307.1023.50



T 130

Tm110

U out
500 V



18 AWG 0,5 - 1,0
mm²



0,5 - 1,1





DESCRIPTION

Snap in pins for IP 40

A pair of lampholders provides a lamp length tolerance compensation of 3 mm

Product name:	Fluorescent lampholder G13
Symbol Ausprägung:	0,5 - 1,0 mm ²
Mounting method 1:	Push-in pins (for hole pattern 5.5 mm dia. or 4.3 x 4.6 mm)
Lamp center:	24
Material:	Housing: PC Rotor: PBT
T-Marking:	130
Protection class according to IEC:	IP 40
Wiring:	through the body
Approval:	cULus
cULus file no.:	E-92235
Material thickness:	0.5 - 1.1
Front Test:	yes
Rotor:	with
Top Test:	yes
Color:	white
Weight:	6
Pkg.:	500