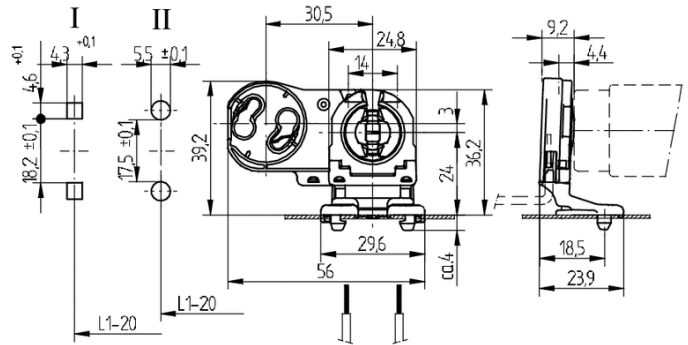




# Fluorescent lampholder G13 26.307.5023.50

Technology for Light



T 130

Tm110

U out  
500 V



18 AWG 0,5 - 1,0  
mm<sup>2</sup>



0,5 - 1,1





Technology for Light

# Fluorescent lampholder G13

## 26.307.5023.50

---

### DESCRIPTION

Snap in pins for IP 40

A pair of lampholders provides a lamp length tolerance compensation of 3 mm

Product name:	Fluorescent lampholder G13
Mounting method 1:	Push-in pins (for hole pattern 5.5 mm dia. or 4.3 x 4.6 mm)
Lamp center:	24
Material:	Housing: PC Rotor: PBT
T-Marking:	130
Protection class according to IEC:	IP 40
Wiring:	through the body
Approval:	cULus
Starter holder:	yes
cULus file no.:	E-92235
Material thickness:	0.5 - 1.1
Starter position:	at the front
Front Test:	yes
Rotor:	with
Top Test:	yes
Color:	white
Weight:	9
Pkg.:	500