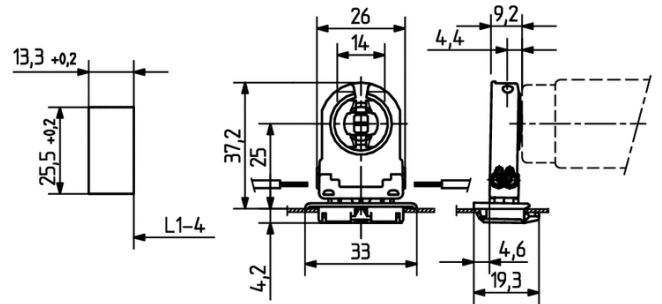




Technology for Light

# Fluorescent lampholder G13 26.308.1125.50



T 130

Tm110

U out  
500 V



18 AWG 0,5 - 1,0  
mm<sup>2</sup>



0,5 - 1,1



Technology for Light

# Fluorescent lampholder G13

## 26.308.1125.50

---

### DESCRIPTION

With snap in foot and closed base, IP 40. With foot gasket IP 50.  
A pair of lampholders provides a lamp length tolerance compensation of 3 mm

Product name:	Fluorescent lampholder G13
Mounting method 1:	Snap-in foot 25.5 x 13.3 mm
Lamp center:	25
Material:	Housing: PC Rotor: PBT
T-Marking:	130
Protection class according to IEC:	IP 40
Wiring:	Side entry wiring
Approval:	cULus
cULus file no.:	E-92235
Material thickness:	0.5 - 1.1
Front Test:	yes
Rotor:	with
Top Test:	yes
Color:	white
Weight:	6
Pkg.:	500