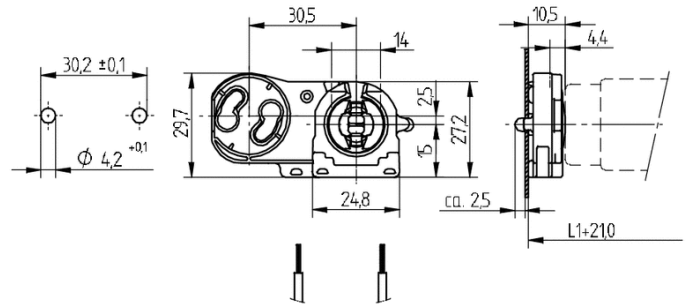




Technology for Light

Fluorescent lampholder G13 26.422.5010.50



T 130

Tm110



18 AWG 0,5 -1,0
mm²



0,5 - 1,1





Technology for Light

Fluorescent lampholder G13

26.422.5010.50

DESCRIPTION

- cULus: File E-92235

Product name:	Fluorescent lampholder G13
Mounting method 1:	Snap-in pins
Material:	Housing: PC Rotor: PBT
Wiring:	through the body
Body thickness:	10,5
Approval:	cULus
Starter holder:	yes
Material thickness:	0.5 - 1.1
Starter position:	at the front
Front Test:	yes
Rotor:	with
Top Test:	yes
Color:	white
Weight:	8
Pkg.:	500