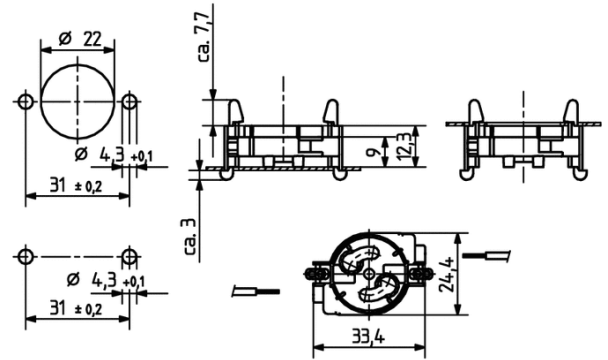
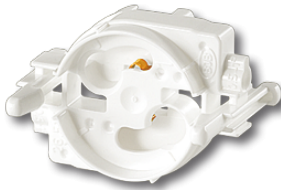




Technology for Light

# Starter holder 26.514.5011.50



T 100



18 AWG 0,5 - 1,0  
mm<sup>2</sup>



0,5 - 1,1



Technology for Light

# Starter holder

## 26.514.5011.50

---

### DESCRIPTION

- Wiring from rear or through the foot.

Product name:	Starter holder
Symbol Ausprägung:	0,5 -1,0 mm <sup>2</sup>
Mounting method 1:	Push-in pins above and below
Material:	Housing: PC
T-Marking:	100
Approval:	cULus
cULus file no.:	E-100447
Material thickness:	0.5 - 1.1
Color:	white
Weight:	3
Pkg.:	500