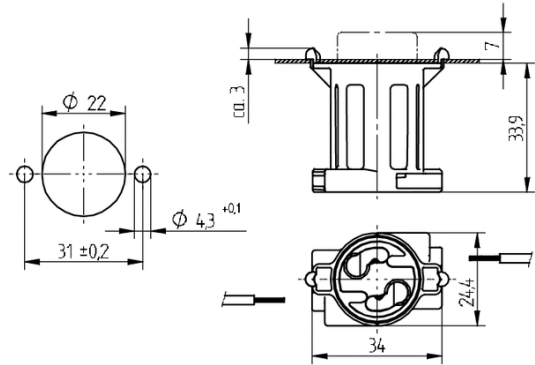




Technology for Light

Starter holder 26.514.5026.50



T 100



18 AWG 0,5 - 1,0
mm²



0,5 - 1,1



Technology for Light

Starter holder 26.514.5026.50

DESCRIPTION

With integral spacer

Product name:	Starter holder
Symbol Ausprägung:	0,5 -1,0 mm ²
Mounting method 1:	Push-in pins, Mount below surface only
Material:	Housing: PC
Approval:	cULus
cULus file no.:	E-100447
Material thickness:	0.5 - 1.1
Color:	white
Weight:	5
Pkg.:	500