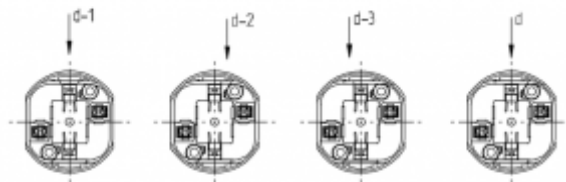
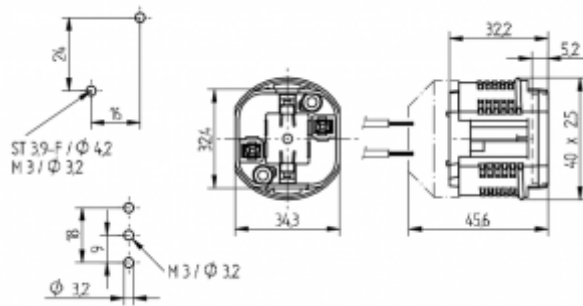


Compact Fluorescent Lampholders

26.745.1321

G24 / GX24



| color | pkg. | wt. | part no. |
|-------|------|------|----------------|
| white | 250 | 15 g | 26.745.1321.50 |

Key: d-2 (18 Watt)

Approval: additional cULus

For lamps TC-D, TC-T

Screw mount

Einclipbefestigung

Housing: PBT

- Threaded barrel
- Screw mount vertical, diagonal: two holes ϕ 3.2 mm
- Panel cut-out: 2 holes, distance 16 x 24 for self-tapping screws ISO 1481 - ST 3.9 - F
- Screw mount central, vertical: one hole ϕ 3.2 mm and 2 anti rotation slots
- Panel cut-out: three holes 2 x 9 = 18 mm for screws ISO 1207 - M3
- Rivet mount: we recommend blind rivet ϕ 3.0 mm according to DIN 7337 (Aluminium / Steel flat round head) max. pull force 500 N

| | | | |
|-------|--|-------------------------------------|-------------------------------------|
| T 140 | | | |
| | | 18 AWG 0.5 - 1.0 mm ² | 18 AWG 0.5 - 1.0 mm ² |